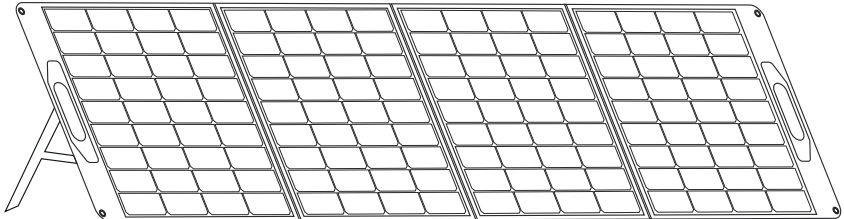


EENOUR

Solar Panel 400W



Model: UB-400
User Manual

Please read this manual before use and follow its guidance. Keep this manual for future reference.

Introduction

Thank you for purchasing the EENOUR Solar Panel. Before use, please read the user manual of this product to ensure correct use after a complete understanding. After reading, please keep the user manual in a safe place for future reference. If you need any assistance, please contact our support team at: support@eenour.com with your product model number and Amazon order number.

Precaution For Use

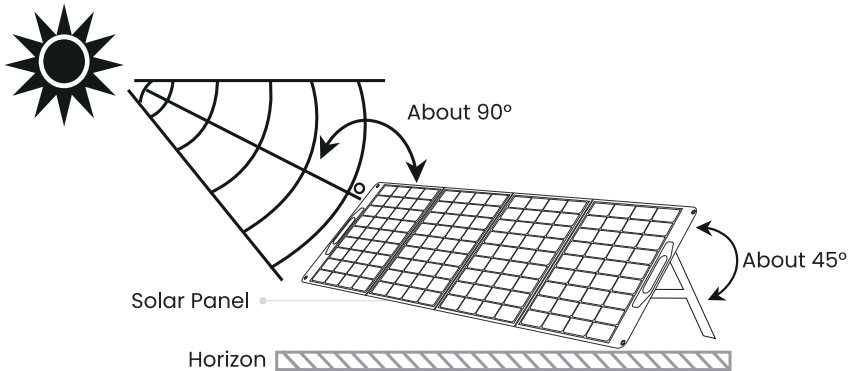
When using the appliance, abide by all precautions from start to finish, including the following contents: please read all instructions before using the product.

Main Features

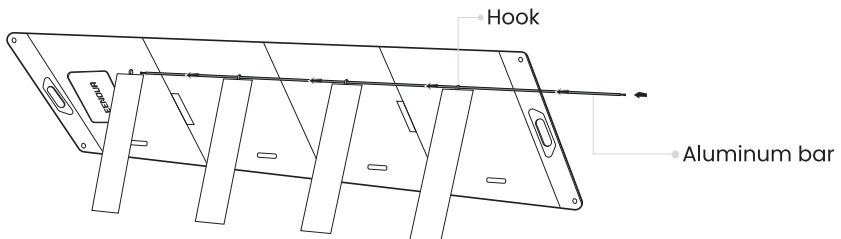
UB-400 is equipped with MC4 cable which is possible to charge portable power station and below 39V storage batteries. The solar panel has a built-in protection chip, which can prevent short circuit, overcurrent, products overheating, etc, and can automatically detect the power and perform quick charging with a suitable current. The solar power supply method is energy-saving and environmentally friendly and is also recommended for emergency charging.

Installation Method

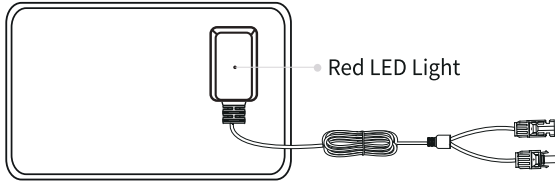
1. Unfold the solar panel and install it to make sure the panel surface is almost perpendicular to the sunlight.



2. Connect the aluminum bar and attach it to the back of the panel with the hook.



3. Confirm that the power indicator on the controller is constantly light in red.



Charging methods

How to use MC4 output

1. Expand the panel and confirm that the power lamp is constantly lit in red.

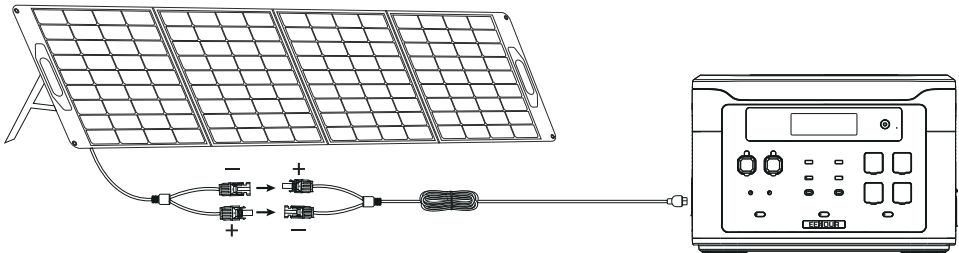
* If installed in a sunny place, the indicator will light up.

2. Connect the solar panel MC4 connector to MC4 cable of portable power station.

3. In the case of MC4 terminal output, the energization indicator is always light in red. In the case of low voltage, over current and short circuit, the light will blink and turns off.

* In order to increase the efficiency of the EENOUR Solar Panel, use it in direct sunlight, position it perpendicular to the sunlight, and make sure the solar panels are unobstructed.

* The sunshine intensity and usage environment will influence the efficiency of power generation of solar panels.



EENOUR F2000 Power Station

Connecting the Solar Panels in Parallels or in Series

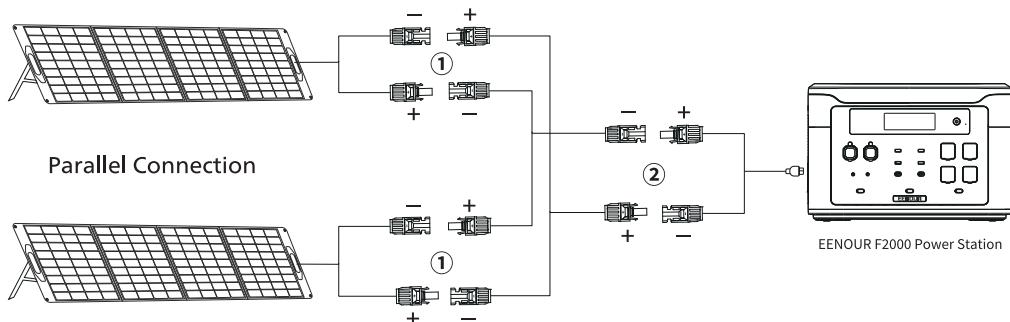
Wire solar panels in parallel

1. Expand the panel and confirm that the power indicator is constantly lit in red.

* If installed in a sunny place, the indicator will light up.

2. Connect the "+" positive poles of the solar panels with the "-" negative poles as shown in ① in the figure, and then connect it to the MC4 charging cable of the portable power station as shown in ② in the figure.

* Y-type cable for parallel connection is sold separately.

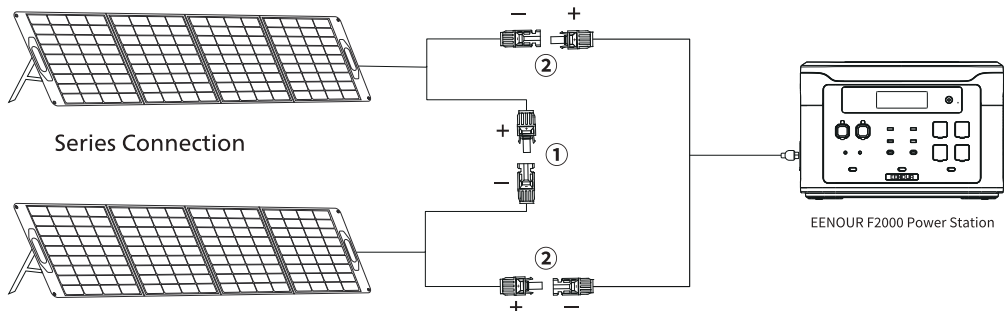


Wire solar panels in series

1. Expand the panel and confirm that the power indicator is constantly lit in red.

* If installed in a sunny place, the indicator will light up.

2. Connect the MC4 port "+" and "-" between the solar panels as shown in ① in the figure, then connect the MC4 charging cable of the portable power supply as shown in ② in the figure.



Notes:

*Because the voltage rises to 78V with series connection, please make sure it is within the range of the input voltage of the electrical equipment. Doing so may cause a malfunction because the output voltage will rise above the specified value.

*Incorrect connection may result in electric shock, so please refer to the connection drawing before connecting. Make sure all connectors are fully locked.

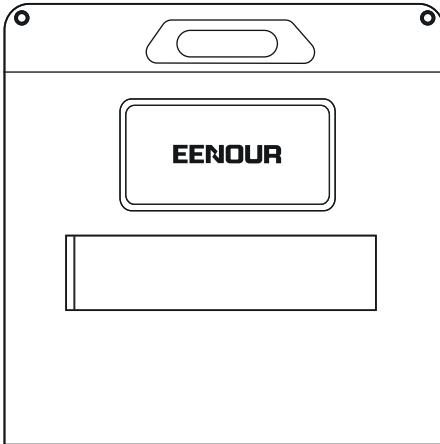
Usage Tips

- Please make sure to unfold the entire panel and expose it to direct sunlight.
- If the panel surface is partially shaded, the panel surface is shaded, something is placed on the panel surface, or the panel surface is dirty, the power generation efficiency will be decreased, and even stop generate power.
- Charging through the window glass is not supported. This is because the sunlight is attenuated by the surface reflection of the window glass, etc., resulting in a decrease in the amount of power generation.
- Power generation efficiency is greatly affected by usage environment such as weather and installation angle.
- Handle with care and avoid excessive bending or bumping as this may damage the product.
- Do not touch the end of the cable with hands. There is a risk of electric shock.
- The best temperature for power generation efficiency is around 68°F to 86°F.
- If the temperature is too high under the scorching sun in the middle of summer, or in cold regions in the middle of winter, the power generation efficiency may decrease.
- When carrying the solar panel, please make sure to pull out the aluminum bar then fold it.
- Because the amount of power generated which depending on the sunshine conditions and usage environment, power may not be generated sufficiently.
- Be careful not to drop or impact the solar panel as it may be damaged.
- After connecting the solar panel charging cable and extension cable, please make sure that the connector claws are securely locked. Failure to do so may result in electric shock, electric leakage, or accidents.

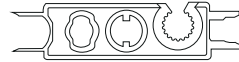
Technical Specifications

Model	UB-400
Cell Type	Monocrystalline Silicon
Peak Power	400W
Power Voltage (Vmp)	21.5%-23.5%
Power Current (Imp)	39V
Cell Efficiency	10.25A
Open Circuit Voltage	48.5V
Short Circuit Current	11.17A
Size (Fold)	31.5*31.3*1.77 inch (80*79.5*4.5cm)
Size (Unfold)	119*31.5*0.98 inch (303*80*2.5cm)
Weight	19.84 lb (9KG)
Warranty	12 months

Package Included



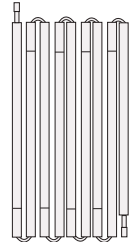
1× EENOUR Solar Panel 400W



1× MC4 Cable Removal Tool



1× User Manual



1x Aluminum Bar

Warranty

The product is with a 1-year warranty from the date of purchase (damages from normal wear and tear, alteration, misuse, neglect, accident, service by anyone other than the authorized service center, or act of God are not included).

During the warranty period and upon verification of defects, this product will be replaced when returned with proof of purchase.

Customer Support

If you need help regarding product issues, after-sales service, or other relevant problems, please contact us via email: support@eenour.com, and provide the following information:

- Order ID
- Problem description

✉ E-mail: support@eenour.com

🌐 Website: <https://eenour.com/>

CE FC RoHS